

**LTP - SERIES**  
ELECTRIC DRIVEN TORQUE  
WRENCH PUMPS

External adjustable torque settings  
pressure relief valve as standard.

Maximum working pressure 700 Bar.

In-built cooling system.

Dual scale pressure gauge.

Provides with auto retract function as standard.

Motor ON/OFF control on pendant.

Option for multi outlet ports.



Use Lifton LTH series twin hose assembly with double acting torque wrench and torque pump to ensure the integrity of your hydraulic system



Lifton torque pumps are also available with digital pressure gauges up on request. Add suffix "DG" with the pump model number to order pump with digital pressure gauge



LTP2-E



Four Outlet Valve Assembly



LTP4-E4-

Drive	Model	Valve	Flow Rate (LPM)			Source of Power/ Capacity	Tank Capacity (Liter)	Dimension (LxBxH) cm	Weight (Kg)
			Low		High				
Electric	LTP1E	Single Outlet Elec. Solenoid Valve	5	-	0.4	220 V -50Hz / 0.5 Kw	5	50x35x45	29
Electric	LTP2E	Two Outlet Elec. Solenoid Valve	7	-	0.8	220 V -50Hz / 1.1 Kw	8	45x32x48	31
Electric	LTP2E-4	4 Outlet Elec. Solenoid Valve	7	-	0.8	220 V -50Hz / 1.1 Kw	8	45x32x48	33
Electric	LTP4E-4	4 Outlet Twin Motor Elec. Solenoid Valve	20	8	2.5	380 V -50Hz / 2.2 Kw Twin Motor	40	65x47x61	75



Use Lifton LTH series twin hose assembly with double acting torque wrench and torque pump to ensure the integrity of your hydraulic system



Lifton torque pumps are also available with digital pressure gauges up on request. Add suffix "DG" with the pump model

number to order pump with digital pressure gauge

External adjustable torque settings pressure relief valve as standard.

Supplied with filter, lubricator as standard

Maximum working pressure 700 Bar.

In-built cooling system.

Dual scale pressure gauge.

Provides with auto retract function as standard.

Option for multi outlet ports



4 Outlet Valve Assembly (optional)

Drive	Model	Valve	Max. Flow Rate (LPM)		Source of Power/ Capacity	Tank Capacity (Liter)	Dimension (LxBxH) cm	Weight (Kg)
			Low	High				
Air	LTP2A	Two outlet Pneumatic. Solenoid Valve	9	1.1	7 Bar / 1.5 Kw	8	49x34x49	39
Air	LTP2A-4	4 Outlet Pneumatic. Solenoid Valve	9	1.1	7 Bar / 1.5 Kw	8	49x34x49	41
Air	LTP4A	Two outlet Pneumatic. Solenoid Valve	13.5	1.1	7 Bar / 3 Kw	10	55x54x55	55



Model	Length (Metres)	Description
LTH4-M	4	Hydraulic twin hose with quick release couplers on both ends. (Fitted with MCF-142 & FCM-142 couplers) Working pressure 700 Bar.
LTH6-M	6	
LTH10-M	10	
LTH12-M	12	



Model	Thread Size	Description
FWC-142	1/4" NPTF	Female coupler. Working pressure 700 Bar.
MWC-142	1/4" NPTF	Male coupler. Working pressure 700 Bar.



Model	Thread Size	Description
FCM-142	1/4" NPTM	Female coupler. Working pressure 700 Bar.
MCF-142	1/4" NPTF	Male coupler. Working pressure 700 Bar.
MCM-142	1/4" NPTM	Working pressure 700 Bar.



Model	Thread Size	Description
LF-14	1/4" NPTM x 1/4" NPTM	Male adaptor. Working pressure 700 Bar.



Model	Thread Size	Description
FTC-144	1/4" BSPF	Female coupler. Working pressure 1500 Bar.
MTC-144	1/4" BSPF	Male coupler. Working pressure 1500 Bar.



Model	Thread Size	Description
LF-15	1/4" BSPM x 1/4" BSPM	Male adaptor. Working pressure 1500 Bar.
LF-1914UHP	9/16" UNF x 1/4" BSP	Male adaptor. Working pressure 1500 Bar.



Accurate torque with low noise and low vibration.

Maximum torque requires only 90 psi.

Extensions available for job specific applications.

Supplied with holding ring.

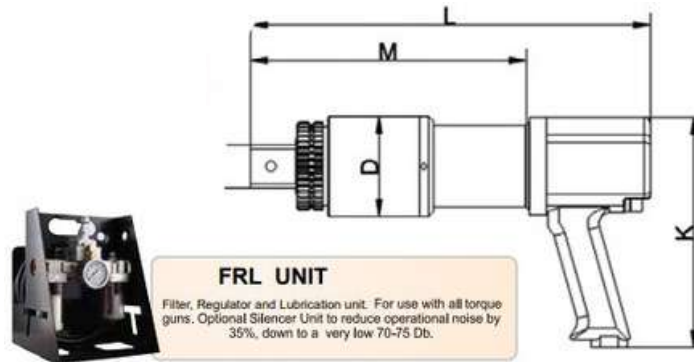
Customized sizes available up on request.

Made from Lightweight high-strength material.

Precision gearing produces constant calibrated power.

Highest power-to-weight ratio of any Comparable product.

Splined reaction area allows for the use of custom reaction fixtures.



Model	Max. Torque Nm		SQ. Drive Size Inch	D (mm)	M (mm)	L (mm)	K (mm)	RPM	Weight (w/o R.M) (Kg)
	Min	Max							
LPW-05	100	600	3/4	60	60	170	185	50	4
LPW-10	150	1000	3/4	74	140	250	185	28	4.8
LPW-15	200	1500	1	76	150	260	185	21	5.2
LPW-20	300	2000	1	76	150	260	185	15	5.5
LPW-30	500	3000	1	93	230	340	185	10	7.5
LPW-40	700	4000	1	97	230	340	185	7	9.5
LPW-60	1000	6000	1.1/2	105	270	380	185	5	14
LPW-80	2000	8000	1.1/2	113	270	380	185	4	18

# LBW - SERIES

BATTERY TORQUE  
WRENCH

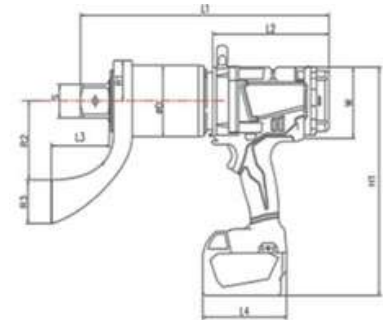
The LBW reaches torques very precisely and efficiently, even when the battery is low. New modern brushless motor have a better efficient power output.

High accuracy of +/-5%, recalibration system makes tool more accurate. Programmable preset torque settings.

Light and compact design, suitable for a variety of applications.

The powerful 18V 5.0Ah battery reaches up to 300 boltings per battery charge.

AC Adapters are available instead of batteries for direct power supply of 220V.



Model	Max. Torque Nm		SQ. Drive Size Inch	D (mm)	L (mm)	H1 (mm)	H2 (mm)	R1 (mm)	R2 (mm)	RPM	Weight (Kg)
	Min	Max									
LBW-05	100	500	3/4	65	260			53	105	26	4.3
LBW-10	130	1000	3/4	69	289			53	105	18	4.8
LBW-15	180	1500	1	78	334			66	126	8	5.2
LBW-20	250	2100	1	78	334			66	126	6	5.5
LBW-30	480	3100	1	88	357	80	272	70	150	3.5	7.5
LBW-40	650	4000	1	98	365			75	150	3.2	9.5
LBW-50	850	5000	1.1/2	110	400			82.5	157.5	2.5	10
LBW-60	1100	6000	1.1/2	110	400			82.5	157.5	1.8	12
LBW-80	1900	8000	1.1/2	126	439			105	200	1.5	14